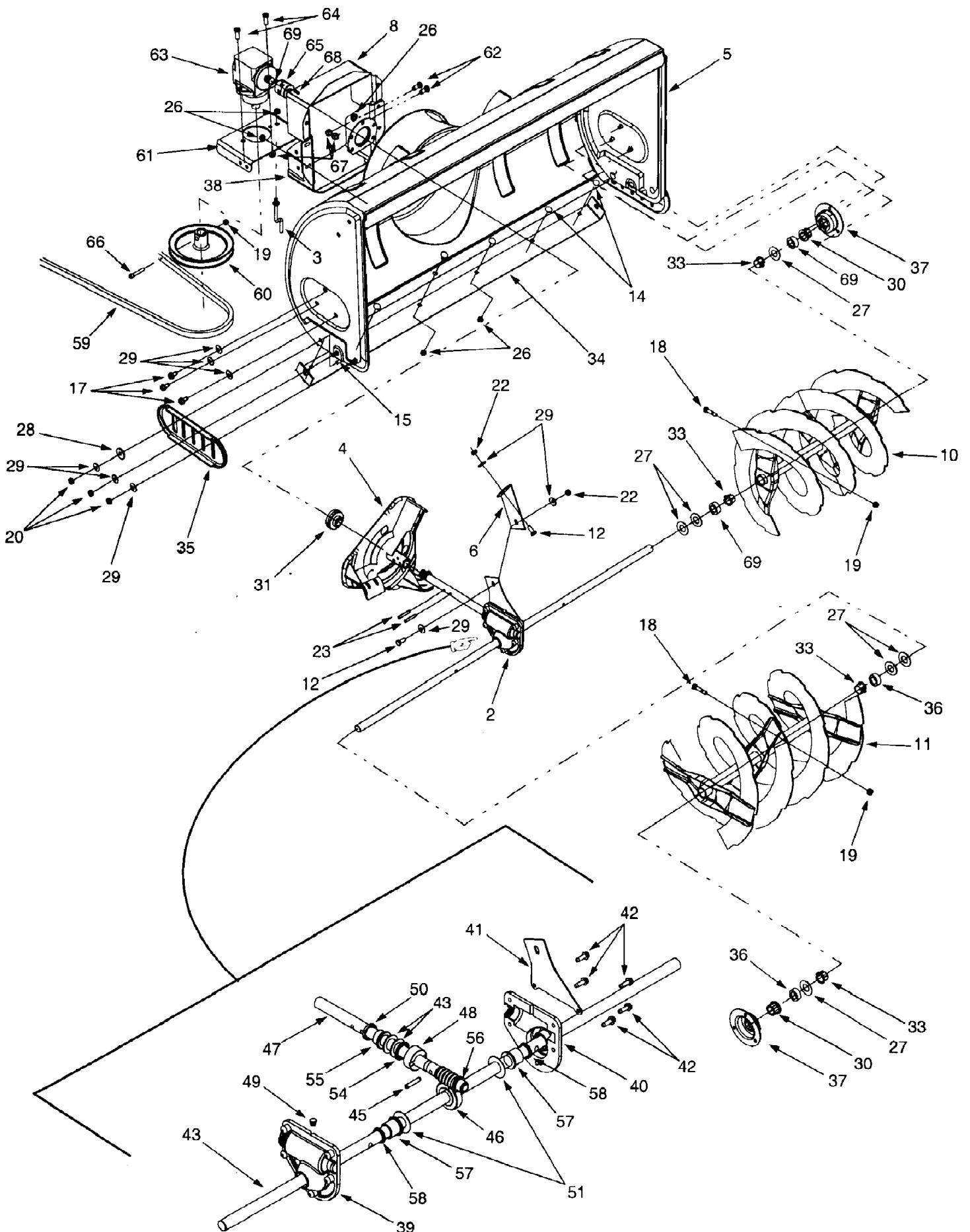


190-627-000 42" 2-Stage Snow Thrower (2001)  
Auger & Housing Assembly



190-627-000 42" 2-Stage Snow Thrower (2001)  
Auger & Housing Assembly

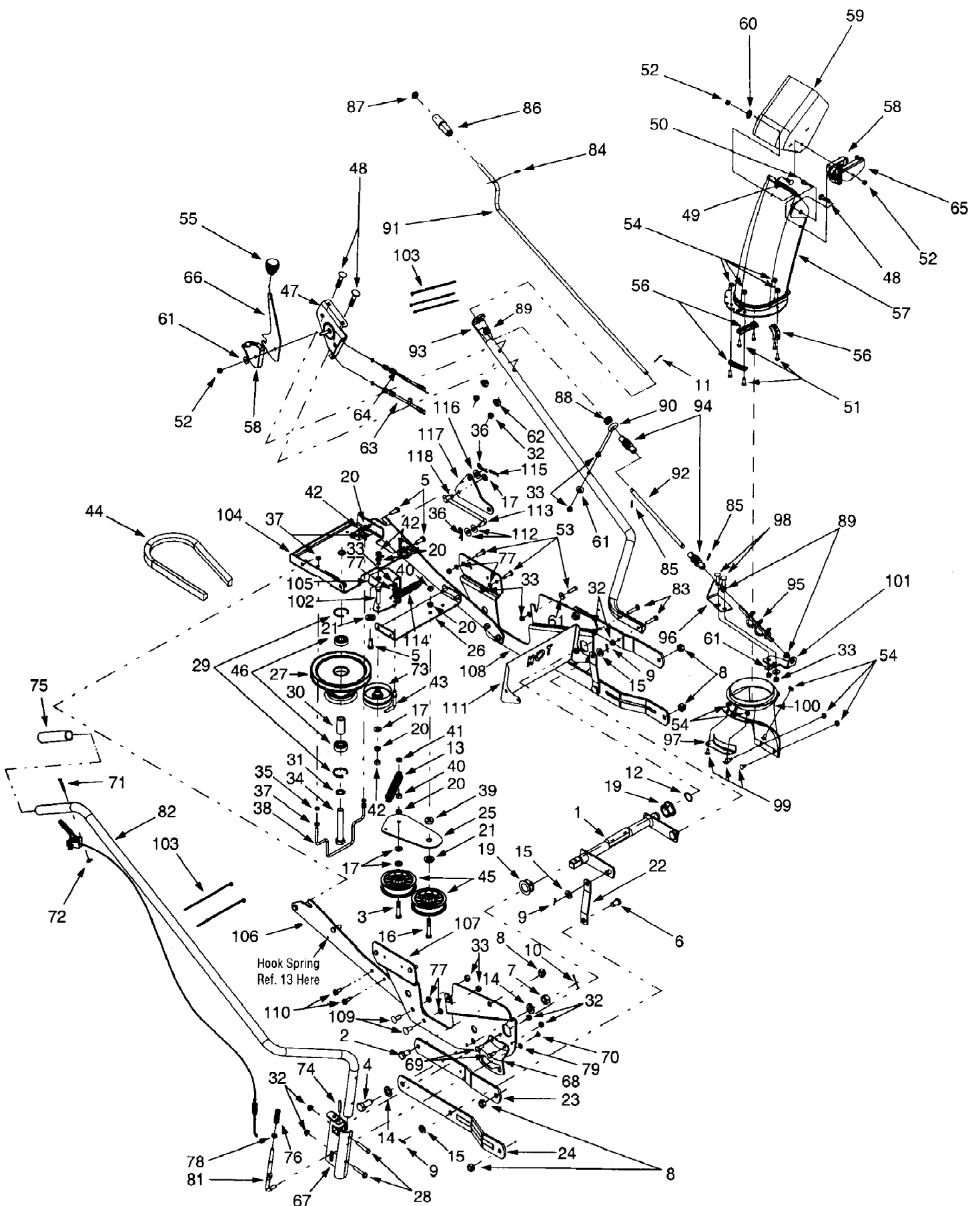
Page 2 of 7

Ref #	Part Number	Qty	S/P/F	Description
?1	05931	1	S	Bearing Housing, 1.85 ID
2	618-0407	1		Auger Gear Case (Incl. Ref. 39-58)
3	747-1257	1		Belt Keeper Rod
4	684-0065	1	S	Impeller Assembly, 12"
5	684-0148	1		Housing Assembly
6	703-2734	1		Housing Brace Bracket
?7	703-2735A	1		Chute Crank Bracket
8	703-2736	1		Belt Cover
?9	705-5226	1		Chute Reinforcer
10	705-5269	1		LH Spiral Auger, 40"
11	705-5270	1		RH Spiral Auger, 40"
12	710-0157	1	/P	Hex Cap Screw, 5/16-24 x .75
?13	710-0167	1	/P	Carriage Screw, 1/4-20 x .5
14	710-0260A	1	/P	Carriage Bolt, 5/16-18 x .62
15	710-0276	1	/P	Splined Carriage Screw, 5/16-18 x 1.0
?16	710-0451	1	/P	Carriage Bolt, 5/16-18 x .75
17	710-0604A	1	/P	Self Tapping Screw, 5/16-18 x .625
18	710-0890A	1	/P	Shear Bolt, 5/16-18 x 1.5
19	712-0429	1	S	Hex Lock Nut, 5/16-18
20	712-3010	1	S	Hex Nut, 5/16-18
?21	712-3027	1	S	Hex Flange Lock Nut, 1/4-20
22	712-3057	1	S	Hex Nut, 5/16-24
23	715-0114	1	S	Spirol Pin, 1/4 x 1-1/2
?24	715-0129	1		Spirol Pin, .125 x .812
?25	731-1379	1	S	Adapter Chute
26	712-3004A	1	/P	Flange Lock Nut, 5/16-18
27	736-0188	1	/P	Flat Washer, .76 x 1.49 x .06
28	736-0231	1	S	Flat Washer, .344 x 1.125 x .12
29	736-0242	1	/P	Bell Washer, .340 x .872
30	741-0245	1	S	Hex Flange Bearing, .75 ID
31	741-0309	1	S	Flange Ball Bearing, .75 x 1.85
?32	741-0475	1	S	Plastic Bushing, .38
33	741-0493A	1	/P	Flange Bushing, .80 x .91
34	784-0396	1	S	Skid Plate Bracket, 42"
35	784-50388	1		Slide Shoe
36	711-0469	1		Spacer, .75 x .125 x .5
37	784-5618	1	S	Hex Bearing Housing, 1.0
38	784-0402	1	S	Skid Plate
39	618-0123	1	S	RH Reducer Housing (Incl. Ref. 57, 58)
40	618-0124	1	S	LH Reducer Housing (Incl. Ref. 57, 58)
41	703-2733	1		Housing Brace Plate
42	710-0642	1	/P	Self Tapping Screw, 1/4-20 x .75
43	711-1395	1		Spiral Axle, 41.5"
?44	714-0161	1	S	Hi-Pro Key, 3/16 x 5/8
45	715-0143	1	S	Spring Spirol Pin, .25 x 1.25
46	717-0528	1	S	Worm Gear, 20-tooth
47	717-3320	1		Worm Shaft
48	718-0513	1		Thrust Collar
49	721-0325	1		Grease Plug
50	721-0327	1		Grease Seal
51	736-0351	1	S	Flat Washer, .76 x 1.5 x .030
?52	736-0369	1	S	Flat Washer, .508 x 1.0 x .020
?53	736-0617	1		Flat Washer, .75 x 1.25 x .0615

190-627-000 42" 2-Stage Snow Thrower (2001)  
Auger & Housing Assembly

Page 3 of 7

Ref #	Part Number	Qty	S/P/F	Description
54	741-0150	1	S	Thrust Bearing, .75 x 1.25 x .078
55	741-0700	1		Flange Bearing, .75 x 1.0 x .59
56	748-0108	1	S	Flange Bearing, .503 x .75
57	741-0661	1	S	Flange Bearing, .754 x 1.0 x .925
58	721-0179	1	S	Grease Seal
59	754-0330	1	S	Lower V-belt
60	756-1181	1	S	Drive Pulley, 7"
61	783-1014	1	S	Drive Mounting Bracket
62	710-0216	1	/P	Hex Cap Screw, 3/8-16 x .75
63	717-1714	1	S	Right Angle Drive
64	710-0514	1	/P	Hex Cap Screw, 3/8-16 x 1.0
65	718-0691	1	S	Coupling
66	710-3251	1	/P	Socket Head Cap Screw, 5/16-18 x 1.75
67	712-0431	1	S	Flange Lock Nut, 3/8-16
68	714-0122	1	S	Square Key, 3/16 x .75
69	714-0126	1	S	Hi-pro Key, 3/16 x .75
?70	783-1264	1		Bearing Housing, 1.85 ID



190-627-000 42" 2-Stage Snow Thrower (2001)  
Main Assembly

Page 5 of 7

Ref #	Part Number	Qty	S/P/F	Description
1	611-0132	1	S	Rod Assembly
2	710-3131	1	/P	Hex Cap Screw, 1/2-13 x 1.0
3	710-0151	1	/P	Hex Cap Screw, 3/8-24 x 2.0
4	710-0964A	1		Hex Cap Screw, 5/8-18 x 1.31
5	710-0514	1	/P	Hex Cap Screw, 3/8-16 x 1.0
6	711-0332	1	S	Clevis Pin, .5 x .78
7	712-0386A	1	/P	Slotted Hex Nut, 5/8-18
8	712-3022	1	/P	Hex Lock Nut, 1/2-13
9	714-0474	1	S	Cotter Pin, .125 x .75
10	714-0470	1	S	Cotter Pin, 1/8 x 1.25
11	714-0507	1	S	Cotter Pin
12	716-0102	1	S	Snap Ring
13	732-0262	1	S	Extension Spring
14	736-0366	1	/P	Flat Washer, .64 x 1.12 x .125
15	736-0272	1	S	Flat Washer, .51 x 1.0 x .060
16	710-0331	1	/P	Hex Cap Screw, 3/8-24 x 2.25
17	756-0300	1		Flat Washer, .406 x .875 x .059
?18	738-0234	1		Shoulder Screw, .5 x .29, 3/8-16
19	741-0170	1	S	Flange Bearing w/ Flats
20	736-0169	1	S	Lock Washer, 3/8
21	738-0347	1	S	Shoulder Spacer, .625 x .169
22	783-0382	1	S	Link, 4.88
23	783-0878	1	S	Link, 13.25
24	783-1263	1	S	Link, 17.30
25	784-5727	1	S	Idler Pivot Arm
26	784-5728	1	S	Idler Support Bracket
27	756-3080	1		Double Pulley, 7.0 x 3.5
28	710-3180	1	/P	Hex Cap Screw, 5/16-18 x 1.75
29	716-3020	1	S	Internal Snap Ring
30	750-3164	1		Spacer, .635 x 2.0
31	736-0290	1	/P	Flat Washer, 5/8 x 1.0 x .063
32	712-3004A	1	/P	Flange Lock Nut, 5/16-18
33	712-3010	1	S	Hex Nut, 5/16-18
34	710-3151	1	/P	Hex Cap Screw, 5/8-18 x 4.25
35	736-0329	1	S	Lock Washer, 1/4
36	714-0145	1	S	Click Pin, .092 x 1.64
37	712-3006	1	/P	Hex Nut, 1/4-20
38	747-3250	1		Belt Guard Rod
39	711-0242	1	S	Spacer
40	712-0241	1	/P	Hex Nut, 3/8-24
41	712-0116	1	S	Nylon Jam Lock Nut, 3/8-24
42	712-3017	1	S	Hex Nut, 3/8-16
43	747-0871	1		Belt Keeper Rod
44	754-0449	1	S	Upper V-belt
45	756-0627	1	S	Idler Pulley, 3.5" Diameter
46	741-0524	1	S	Sealed Ball Bearing, .625 x 1.574 x .470
47	603-0302	1	S	Chute Tilt Bracket Assembly
48	710-0262	1	/P	Carriage Bolt, 5/16-18 x 1.5
49	710-0451	1	/P	Carriage Bolt, 5/16-18 x .75
50	710-0896	1	/P	Hex Index Washer Screw, 1/4-14 x .625
51	710-3015	1	/P	Hex Cap Screw, 1/4-20 x .75
52	712-0429	1	S	Nylon Hex Lock Nut, 5/16-18
53	710-0376	1		Hex Cap Screw, 5/16-18 x 1.0

190-627-000 42" 2-Stage Snow Thrower (2001)  
Main Assembly

Page 6 of 7

Ref #	Part Number	Qty	S/P/F	Description
54	712-3027	1	S	Hex Flange Lock Nut, 1/4-20
55	720-0232	1	S	Knob
56	731-0851A	1	/P	Chute Flange Keeper
57	731-1300A	1	S	Lower Chute
58	731-1313C	1	/P	Chute Tilt Cable Guide
59	731-1320	1	S	Upper Chute
60	736-0231	1	S	Flat Washer, .344 x 1.125 x .125
61	736-0242	1	/P	Bell Washer, .34 x .872
62	736-0451	1	S	Saddle Washer, .32 x .93
63	746-0929	1	S	Chute Cable w/ Clip, 54.5"
64	746-0928	1		Chute Cable, 54.5"
65	784-5594	1		Cable Bracket
66	784-5604	1	S	Chute Tilt Handle
67	683-0298	1		Lift Bracket Assembly
68	703-2728A	1		Snow Thrower Lift Bracket
69	710-3008	1	/P	Hex Cap Screw, 5/16-18 x .75
70	710-1268	1	/P	Hex Index Washer Screw #10-16 x .375
71	710-3143	1	/P	Pan Phillips Screw, #10-24 x .75
72	712-0127	1	/P	Flat Weld Nut, #10-24
73	756-0218	1	/P	Flat Idler Pulley, 3.25
74	715-0114	1	S	Heavy Duty Spirol Pin, 1/4 x 1.5
75	720-0274	1	/P	Handle Grip
76	732-0306	1	S	Compression Spring, .406 x .531 x 1.75
77	736-0119	1	S	Lock Washer, 5/16
78	736-0140	1	S	Flat Washer, .385 x .62 x .063
79	736-0400	1	S	Flat Washer, .194 x .62 x .063
80	746-3060A	1	S	Lift Cable, 42" w/ Trigger Control
81	747-1203	1		Lift Index Rod
82	750-1028A	1	/P	Lift Handle Tube
83	710-0805	1	/P	Hex Cap Screw, 5/16-18 x 1.5
84	715-0138	1	S	Rolled Pin, 1/8 x .63
85	715-0129	1		Spirol Pin, .125 x .82
86	720-0201A	1	/P	Crank Knob
87	726-0100	1	S	Push Cap, 3/8 ID
88	735-0234	1		Rubber Grommet, .44 x .94 x .5
89	741-0475	1	S	Plastic Bushing
90	747-0697	1	/P	Eye Bolt
91	747-0931	1	S	Chute Crank Rod, .38 x 28
92	747-0932	1		Rod, .375 x 11.375
93	750-1054	1		Support Chute Tube
94	784-5149	1	S	Joint Block Assembly
95	684-0061	1	S	Chute Crank Assembly
96	703-2735A	1		Chute Crank Bracket
97	705-5226	1		Chute Reinforcer
98	710-0276	1	/P	Splined Carriage Screw, 5/16-18 x 1.0
99	710-0167	1	/P	Carriage Screw, 1/4-20 x .5
100	731-1379A	1	S	Adapter Chute
101	784-5647	1	S	Chute Crank Bracket
102	710-3144	1	/P	Hex Cap Screw, 3/8-16 x 2.0
103	725-0157	1	/P	Cable Tie
104	683-0133	1	S	Pulley Mounting Bracket Assembly
105	783-0358A	1	S	Idler Bracket
106	783-0362A	1	S	Idler Bracket Hanger Bracket

190-627-000 42" 2-Stage Snow Thrower (2001)  
Main Assembly

Page 7 of 7

Ref #	Part Number	Qty	S/P/F	Description
107	783-0372	1	S	RH Side Plate
108	783-0373	1	S	LH Side Plate
109	710-3168	1	/P	Carriage Bolt, 3/8-16 x 1.0
110	710-0650	1	/P	Self-tapping Screw, 5/16-18 x .875
111	783-1274	1		Heat Shield
112	736-0101	1	S	Flat Washer, .406 x 1.0 x .030
113	747-0533	1	S	Clutch Adjustment Control Rod
114	732-0626	1		Extension Spring, .75 x 5.06
115	714-0101	1	S	Internal Cotter Pin
116	736-3019	1		Flat Washer, .531 x 1.062 x .134
117	783-0359	1	S	Idler Engagement Bracket
118	711-0198	1	S	Ferrule, 3/8-24 x .375